



Care and cleaning tips for clippers and accessories

# Cleaning and care tips for clippers and accessories

## Table of contents

Favorita clippers with the Favorita cutter head system

Aesculap clippers with the SnapOn cutter head system

Aesculap trimmers

General information and tips

Devices with cords

Battery-powered devices



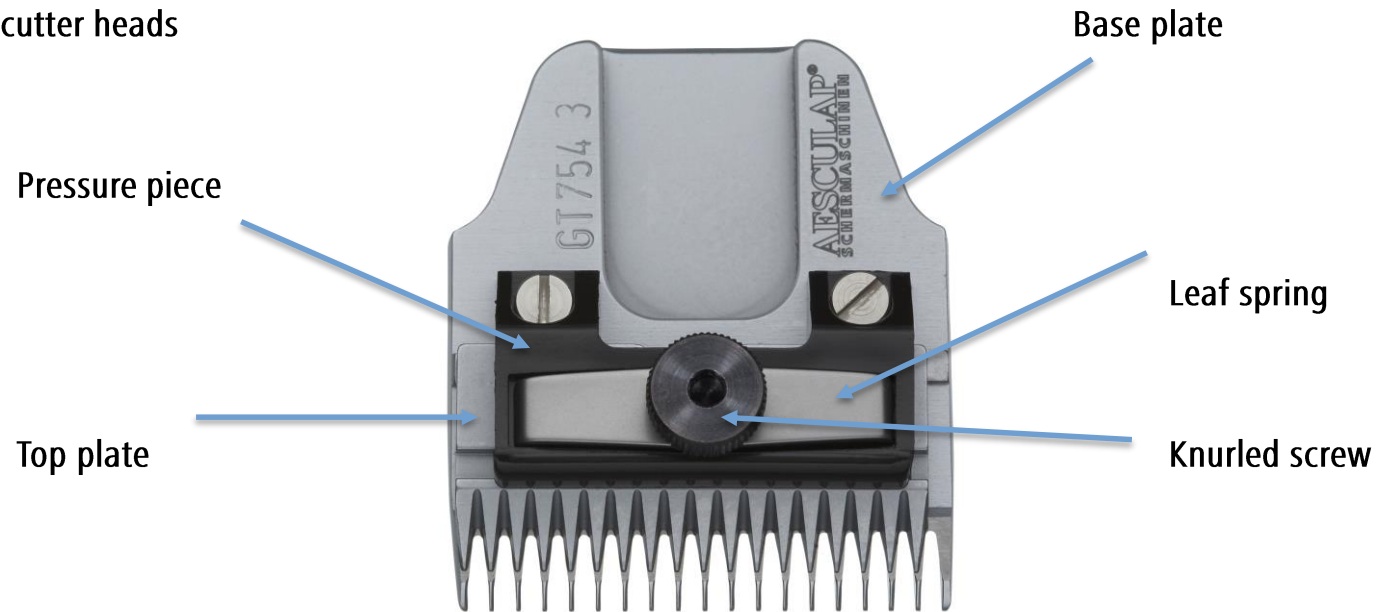
# Cleaning and care tips for clippers and accessories

## Favorita clippers with the Favorita cutter head system

One of the reasons behind the Favorita cutter heads' superior cutting performance is their unique cutter head system: the pressure on the top plate can be adjusted to the type of fur.

Even if the cutting quality drops, the cutting performance can be temporarily improved by increasing the plate pressure, i.e. you can use the Favorita II cutter heads for longer.

### The components of the Favorita cutter heads



# Cleaning and care tips for clippers and accessories

## Setting the right plate pressure

The even bending of the leaf spring ensures the even distribution of pressure and therefore an even cutting pattern.

The knurled screw can be used to increase or reduce the pressure on the top plate.

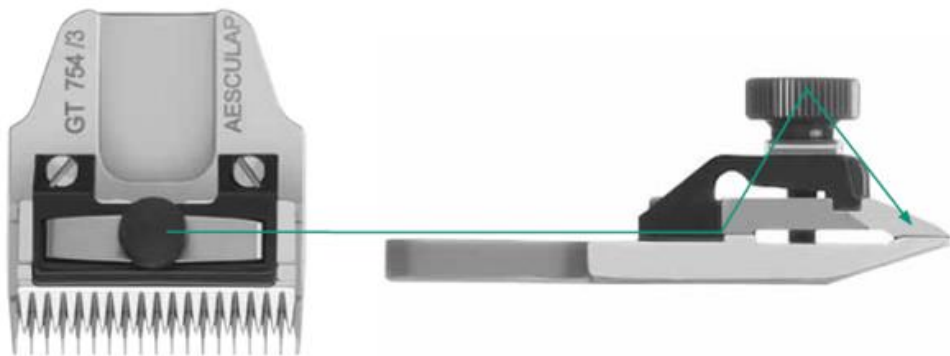
### Normal shearing blade pressure

- Easy-to-cut, washed and brushed fur

### Increased shearing blade pressure

- Fur that is dirty or matted
- Fine hair, such as that found on cats and Angora rabbits
- Temporarily, if the cutter head is blunt, for improving the quality of the cut

**Please only increase or decrease the shearing blade pressure moderately - i.e. always only by a ¼ turn!**



# Cleaning and care tips for clippers and accessories

## Setting the right plate pressure

It is extremely important that the cutter heads are set correctly before use.

The knurled screw may only be tightened so far that the upper shearing blade can still be moved with medium pressure from the side with the thumb and index finger.

Each cutter head comes with this setting as standard.

Cutter head not cutting?

Then it may be set too "loose" and hair is sliding between the shearing plates during the initial cut.

In this case, increasing the plate pressure will not help since first the cutter head will need to be dismantled, the hair removed and then reassembled.

Adjust the plate pressure again.



# Cleaning and care tips for clippers and accessories

## Setting the right plate pressure with the Favorita-Torqui

This torque wrench makes setting every Favorita cutter head child's play



Click click click



- Precise basic setting of the plate pressure
- Increase in the cutter head life thanks to longer intervals between regrinding
- Consistent edge retention
- Simple handling
- Requires no prior knowledge
- Small, agile, maintenance-free
- "Made in Germany" precision instrument
- Can be used for all Favorita cutter heads

# Cleaning and care tips for clippers and accessories

The right care for Favorita cutter heads

Disassembly



Cleaning



Drying



Oiling



The tooth spaces must also be given a thorough cleaning. When using disinfectants, the cutter heads must be dried thoroughly in order to prevent corrosion. After cleaning, the cutter heads must be oiled.

If several cutter heads are dismantled and cleaned at the same time, care must be taken to ensure that the top and bottom plates are not mixed up.

The two plates are already "broken in" with the individual cutter heads and should be re-fitted as they are. Otherwise, the top and bottom plate may not work smoothly together and the cutter head's cutting performance will not be as good.

# Cleaning and care tips for clippers and accessories

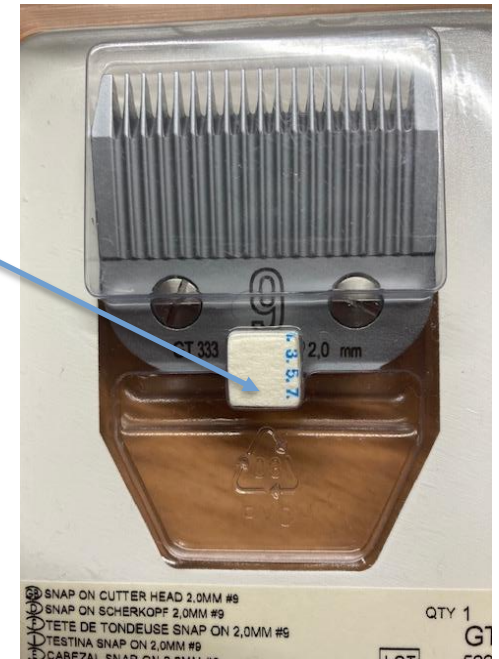
## Storing the cutter heads correctly

While working, the cutter heads can be stored within reach in the cutter head stand.

If cutter heads are not going to be needed for a prolonged period of time, they should be oiled before storage and can be stored wrapped in oiled paper. The blister packaging with BRANOrost chip is also good for storage and helps prevent corrosion.



BRANOrost chip





# Cleaning and care tips for clippers and accessories

## Oiling the cutter heads properly

Cutter heads should be oiled before, during and after use. Oiling them correctly can significantly influence the cutter heads' service life and protect the clipper.

An up to 20 % longer service life can be achieved and even re-grinding can be postponed.

The cutter head must be oiled before each use when the cutter head is fitted.

To do this, the special clipper oil is applied to the teeth - one drop each on the right, left and in the middle, and one drop each on the sides between the shearing plates.

After oiling, allow the clipper to run idle for a few seconds so that the oil can distribute well inside the cutter head and is not transferred to the fur.

The Aesculap Blade Cool Spray 2.0 is also excellent for cleaning the cutter heads. A small tube is used to spray it between the shearing plates, removing hair and dirt.



# Cleaning and care tips for clippers and accessories

---

## Changing the cutter head on the Favorita system

The cutter head should be attached while the clipper is running.

To do this, first operate the lever on the side and push the cutter head halfway onto the dovetail.

The clipper is then switched on and the cutter head fully pushed on with the thumb and index finger.

This technique has the advantage that the rocker arm picks up the cutter head perfectly.



# Cleaning and care tips for clippers and accessories

## Devices with cords

### Storing devices with cords

The cable should be loosely coiled when storing the clipper in order to prevent cable breaks. This is especially the case for the area around the anti-kink grommet.

The air slots transport the sucked-in air away to provide cooling. These should not be held closed while working, since doing so will cause the clipper to overheat.



The air filters that suck in the cooling air should be cleaned from time to time. To do this, push them out of the clipper and clean with a paintbrush or other soft brush.



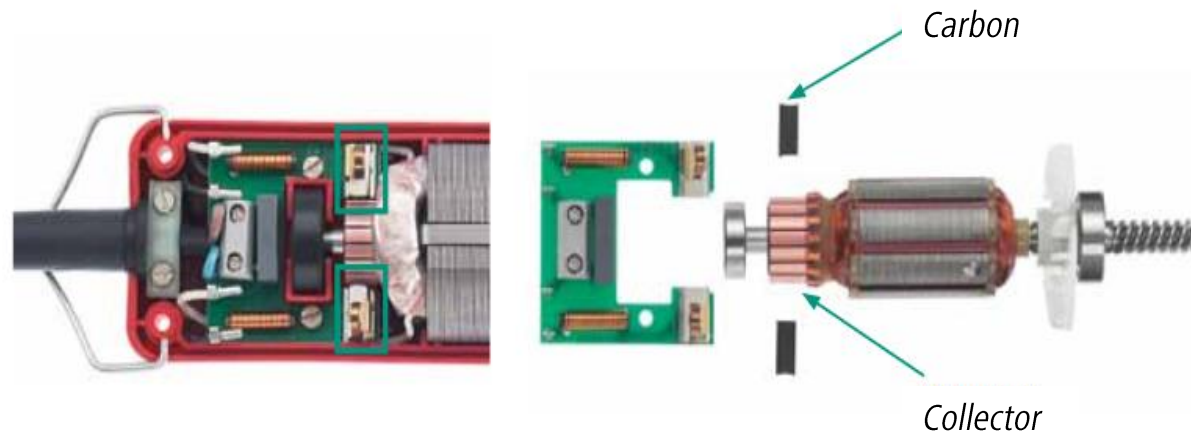
# Cleaning and care tips for clippers and accessories

## Devices with cords

### Carbon replacement on devices with cords

If only 4 mm of length is left on carbon brushes on devices with cords, these should be changed. Otherwise the clipper's performance may be impaired and/or it will run unevenly.

Have the carbons replaced by one of our service centres.



# Cleaning and care tips for clippers and accessories

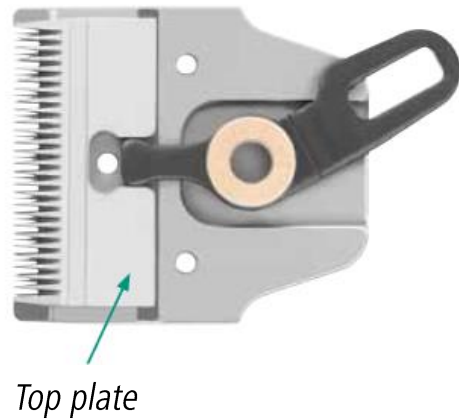
## Favorita clipper in general

### Checking the rocker arm

A worn rocker arm no longer transfers forces effectively, so the upper blade is no longer pushed fully back and forth. This can result in poor cutting performance, even on new or re-ground cutter heads.

The clipper also gets louder - it "rattles".

We recommend having it serviced by a professional workshop.



# Cleaning and care tips for clippers and accessories

## Favorita clipper in general

### Checking the dovetail

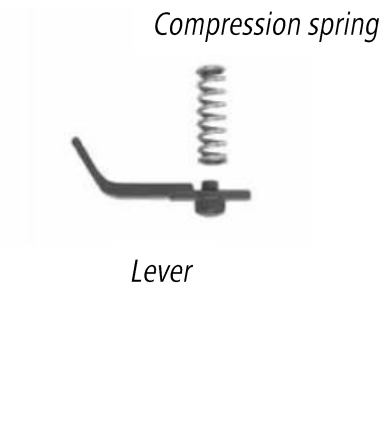
The dovetail plate, in collaboration with the compression spring and rocker, is responsible for ensuring a secure fit of the cutter head. This is checked and where necessary replaced during maintenance.



*Dovetail plate*



*Dovetail plate*



*Compression spring*

*Lever*

# Cleaning and care tips for clippers and accessories

## Battery-powered clippers

### Care and storage of battery-powered clippers

Battery-powered clippers should be stored in the charging station on a solid surface. The storage temperature should not fall below zero degrees, since otherwise this may impair the batteries.

The batteries should be fully charged before first use so that the clipper will operate correctly. For transport, the batteries are only charged to approximately 10 % for safety reasons.

If the clipper is not used for a prolonged period (from 3 months), the batteries should be removed and stored separately.

Please keep the charging contacts on the clipper and in the charging station clean and dry in order to ensure the most effective flow of charging current.

These can be cleaned with a soft cloth.

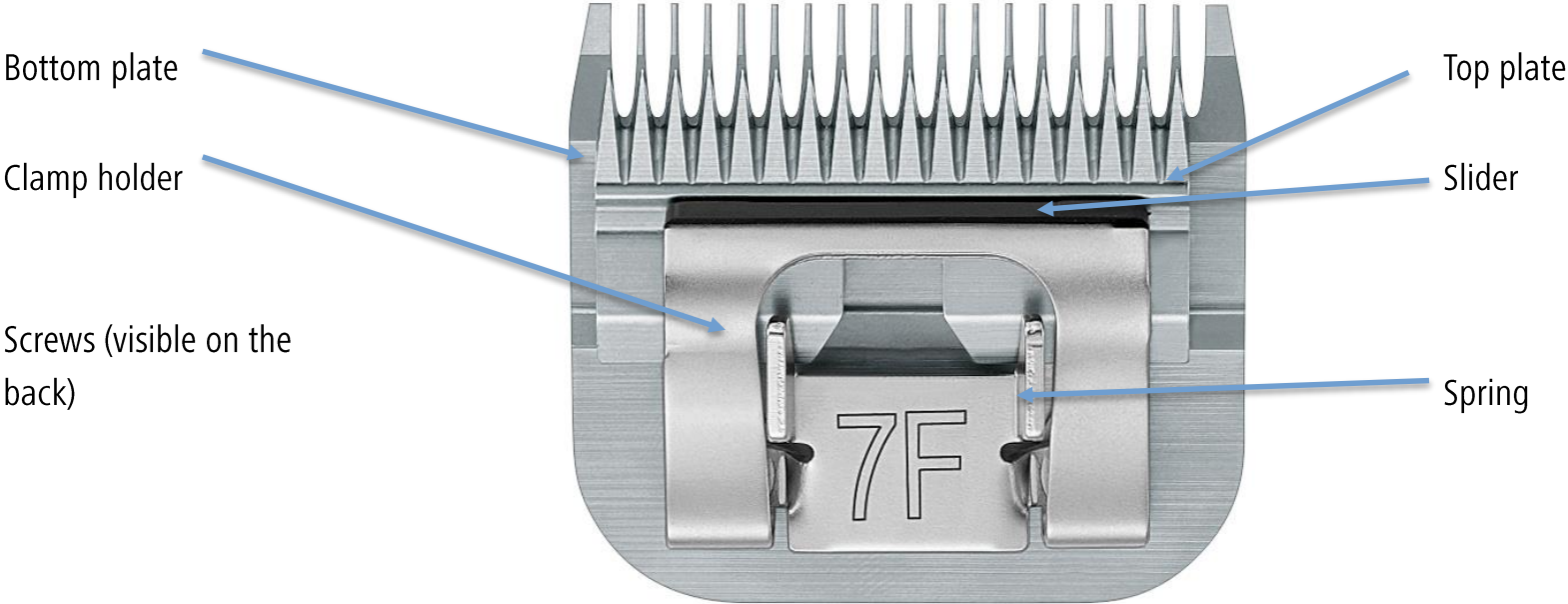


# Cleaning and care tips for clippers and accessories

## Aesculap clippers with the SnapOn cutter head system

With their high-quality carbon steel, high standard of workmanship and high-end surface finish, Aesculap SnapOn cutter heads offer superb quality and a long service life. The cutter heads' lifespan can be influenced significantly by optimum cleaning and care.

The components of the SnapOn cutter head





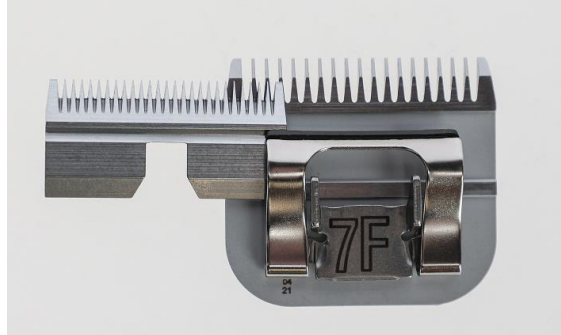
# Cleaning and care tips for clippers and accessories

## The right care for SnapOn cutter heads

The tooth spaces must also be given a thorough cleaning. When using disinfectants, the cutter heads must be dried thoroughly in order to prevent corrosion. After cleaning, the cutter heads must be oiled

### Pushing to the side

Care must be taken to ensure that the top plate does not slip out of the spring



### Cleaning



### Drying



### Oiling



# Cleaning and care tips for clippers and accessories

## Changing the cutter head on the SnapOn system

The cutter head should be attached when the clipper is running so that the rocker arm engages perfectly in the cutter head.

The following steps are recommended:

Remove the cutter head:

Press the push-button and release the cutter head from the locking

Fold the cutter head forwards

Fold the cutter head off the blade hinge



Attaching the cutter head:

Place the cutter head on the blade hinge

Switch on the clipper

Push the cutter head forward until it engages



If the blade hinge is accidentally folded up, it can be released again using a screwdriver.

Important: to allow the rocker arm to engage in the cutter head, the machine must be switched on. If it does not engage correctly, a rattling noise can be heard and the cutter head will not cut.

# Cleaning and care tips for clippers and accessories

## Cleaning and care for small animal cutter heads in general

We recommend oiling the cutter head before each cut. The new Blade Cool Spray 2.0 can be used to simultaneously clean and reduce heat build-up.

Use every 10 minutes while working and regular oiling will improve the cut and prolong the cutter head's sharpness.

The small tube on the spray head generates high pressure, allowing dirt and hair between the shearing blades to be removed. After work, simply spray between the top and bottom plate to clean the cutter head.

For the cutter heads and shearing blades, only use clipper oil.



# Cleaning and care tips for clippers and accessories

## Cleaning and care for trimmers

Exacta and Isis

The areas of use for the Exacta and Isis are special areas on pets, such as paws and faces. The Isis trimmer is used when preparing for a biopsy. The trimmers are not suitable for completely shearing a dog or small animal.

Neither the cutter head nor the trimmer capacity is suitable for this.

The most common question:

the trimmer has not been in operation very long and now it no longer works!

In 90 % of such cases, the problem is not the trimmer, but rather the cutter head.

To test this, unscrew the cutter head. This is done using the Allen key underneath the charging tray.

The trimmer is then switched on without the cutter head.

If it runs normally, then the cutter head is the cause of the problem.

The trimmer has a "safety mechanism" and does not switch on if the shearing blades on the cutter head are stuck together and can no longer be moved. This prevents the machine from "burning out".



# Cleaning and care tips for clippers and accessories

## Cleaning and care for trimmers

Akkurata and Vega

The areas of use for the Akkurata and Vega trimmers are small areas in dog / small animal shearing, such as the neck, tummy, head and face. The Vega is used in preparation for ultrasound

examinations on small animals. These trimmers can generally be used for small dogs and cats.

The trimmer is not suitable for fully shearing a large dog, or for shearing animals with very dirty coats. Neither the cutter head nor the trimmer capacity is suitable for this.

The care and oiling of the cutter heads is especially important in order to keep them ready for operation for a long time to come.

Even in this case, if the machine will no longer run, you must also test it without the cutter head to determine the source of the problem.

To do so, remove the cutter head from the machine by folding it back.



# Cleaning and care tips for clippers and accessories

## Cleaning and care for trimmers

Akkurata and Vega

The two trimmers have a charge indicator. The number of segments indicates how much battery charge is left.

It is important, before using the trimmer for the first time, that the charging station plug is plugged into the socket and the trimmer is placed in the charging stand.

Only then is the battery activated. Fully charge the battery before first use.

The Akkurata and Vega can also be operated directly with the cord.



# Cleaning and care tips for clippers and accessories

## Cleaning and care for trimmers

### General

What if the battery is no longer charging ...?

Please check whether the contacts on the charging station and trimmer are dry and clean. The contacts can be cleaned using a cotton pad dipped in alcohol or methylated spirit.

The machine may only be placed in the charger when the contacts are completely dry because there is a risk of leakage currents and the housing could become hot. For the first time, the machine should be discharged until the motor stops. This should be repeated occasionally.



Keep contacts clean and dry.

The clip-on combs for the Akkurata and Vega can be stored effectively in this part of the charging tray.



# Cleaning and care tips for clippers and accessories

## Cleaning and care of the GT606 and GT608 trimmer cutter heads

The cutter head must be oiled before each use. Use the clipper oil supplied for this. Apply a few drops directly to the shearing blades. Then let the trimmer run idle for a few minutes so that the oil is well distributed in the cutter head and is not transferred to the animal's fur.

Repeat oiling every 5-10 minutes during operation. This prevents the cutter head from getting too hot and over-used, since this will lead to it becoming blunt faster and needing to be replaced.

After work, if the trimmer is not needed until next time, the cutter head should be cleaned thoroughly. Hair and dirt are removed using a paintbrush or a soft toothbrush.

The Aesculap Blade Cool Spray 2.0 is also excellent for cleaning between the shearing blades. A small tube is used to spray it between the shearing plates, removing hair and dirt.

After using the Blade Cool Spray, the cutter head must always also be oiled.

The trimmers' cutter heads cannot be re-ground. If the cutter head is blunt or faulty, it must be replaced with a new one.

**Please never dismantle these cutter heads - doing so will make them unusable!**

