


Perfect for small businesses such as

- Small hotels and bed & breakfasts
- Small restaurants
- Hairdressing and beauty salons
- Sport and fitness clubs
- Office cleaning companies
- Out-of-home resident services
- Restaurant chains/franchise and more

¹ Compared to domestic machines

² Highest possible classification for condensed dryers

myPRO

Smart Professional Dryer

Especially designed for small businesses.

The machine with a Professional heart boasting benefits from the professional design

Benefits and features

- ▶ **Superb capacity and performance:**
 - Process all laundry in one go thanks to generous 8 kg capacity
 - Lower costs: rated A for condensation efficiency and B for energy efficiency²
- ▶ **Outstanding flexibility and garment care:**
 - Meet every need with 16 programs (eco, automatic, time-based and airing programs)
 - Prevent over-drying of garments and save time and energy with professional Residual Moisture Control technology
 - Greater peace of mind: optional direct connection from condensed water tank to drain for instant discharge
- ▶ **Triple the lifetime¹:**
 - Extra long lifetime due to more durable machine construction with professional components
 - Less vibration and noise: below 70 dB based on specially designed transmission system, condenser and panelling
 - No chemical corrosion: stainless steel front and top
- ▶ **24 month warranty**

Options

- ▶ **Reversible door**

Accessories

- ▶ **Pedestal**
- ▶ **Stacking kit**

Main specifications at a glance

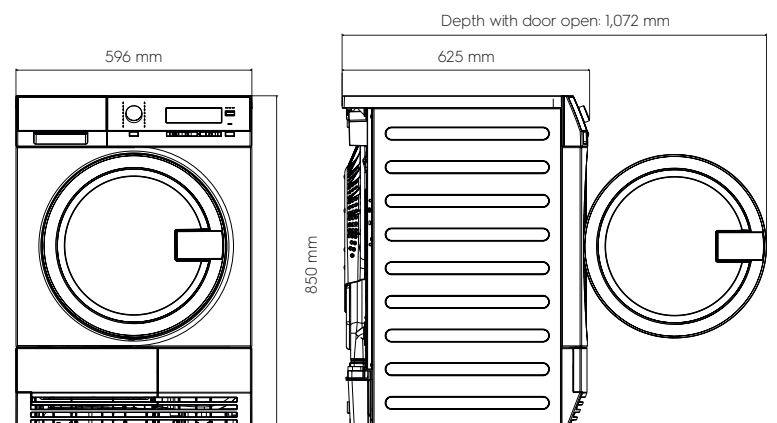
Drying capacity, kg	8
Drum volume, l	120
Energy efficiency class	B
Condensation efficiency	A (>90%)

Consumption data

Program standard, cotton 60 °C, full load

Total time, min./cycle	129
Energy consumption, kWh	4.88
Annual energy consumption, kWh	560

Dimensions



myPRO Smart Professional Dryer

Specifications TE1120

	Main voltage	Hz	Total power W	Recommended fuse A
Electrical connection	230-240 V	50 Hz	2800 W	13 A

Drying technology	Condense (Electric Heating Elements)
Heating element, Volt/Watt	230/2600 (1900 + 700)
Declared drying noise, dB(A)	<70
Display	Large LCD
Drum light	Yes
Door lock device	Pull to open with child safety (can be opened from inside by applying force of 70N)
Drain pump, V/Hz	230/50
Filter	Filter with handle for easier removal
Filter sensor	The machine does not start if the filter is not in position (preserve machine integrity)
Levelling feet	4 adjustable feet (adjustable by 15mm)

Special features

Pedestal	Accessory
Stacking kit	Accessory

Dimensions including the door frame

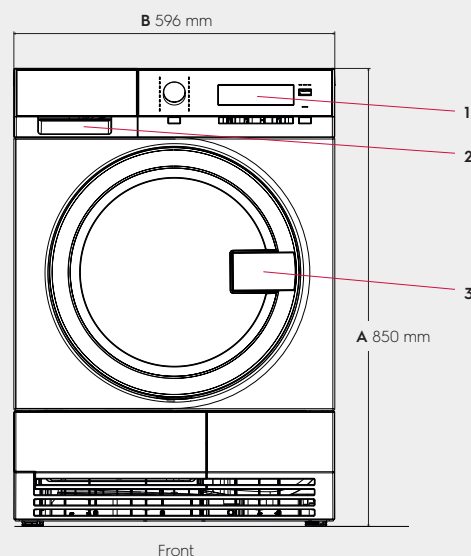
Height (A), mm	850
Width (B), mm	596
Depth (C), mm	625
Packaging height, mm	890
Packaging width, mm	630
Packaging depth, mm	705
Weight (with packaging), kg	44 (45.5)



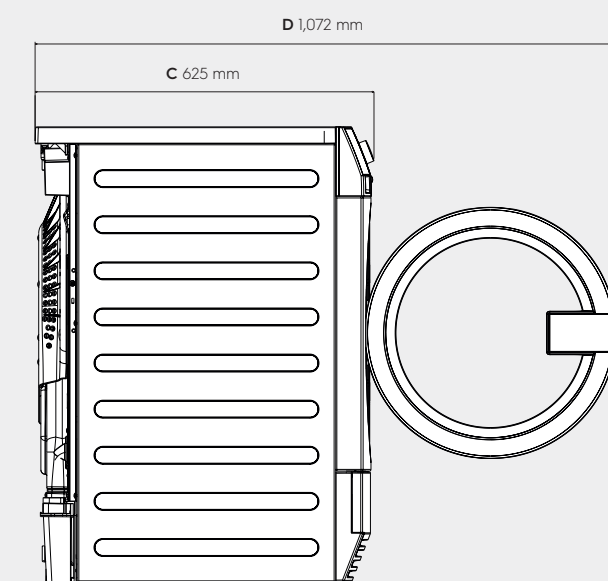
For More Information

Please Call Vet Direct

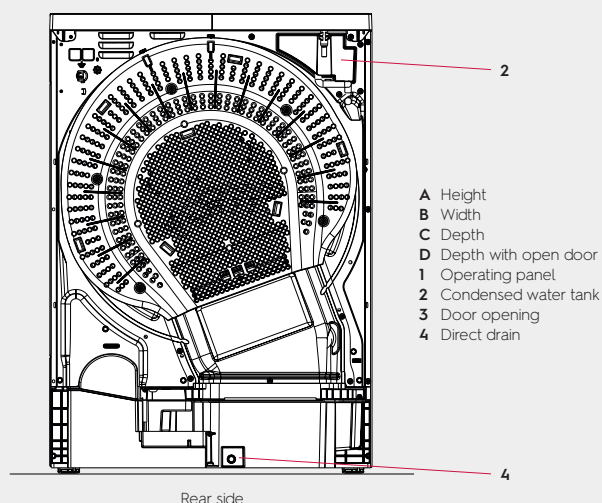
Freephone 0800 0683300



Front



Right side



Rear side

- A Height
- B Width
- C Depth
- D Depth with open door
- 1 Operating panel
- 2 Condensed water tank
- 3 Door opening
- 4 Direct drain

We reserve the right to alter specifications without notice.

