

Nordis LED

Veterinary Lighting



Nordis LED Veterinary Lights

- Crisp Cool White Light
- Ergonomic Design
- Optimal Positioning
- Autoclavable Handle
- Compact Size
- Great Value

...from £999*

Nordis LED Veterinary Lights



Nordis Vet LED Lighting is a new range of examination/operating lights designed to be robust, easy to manoeuvre and functional. They produce a cold light, crisp, clean white light, from a compact head measuring just 21.5cm.

The lights come with a choice of Trolley, Wall or Ceiling mounts. The ergonomic design, of these options facilitates mobility, handling and optimum positioning.

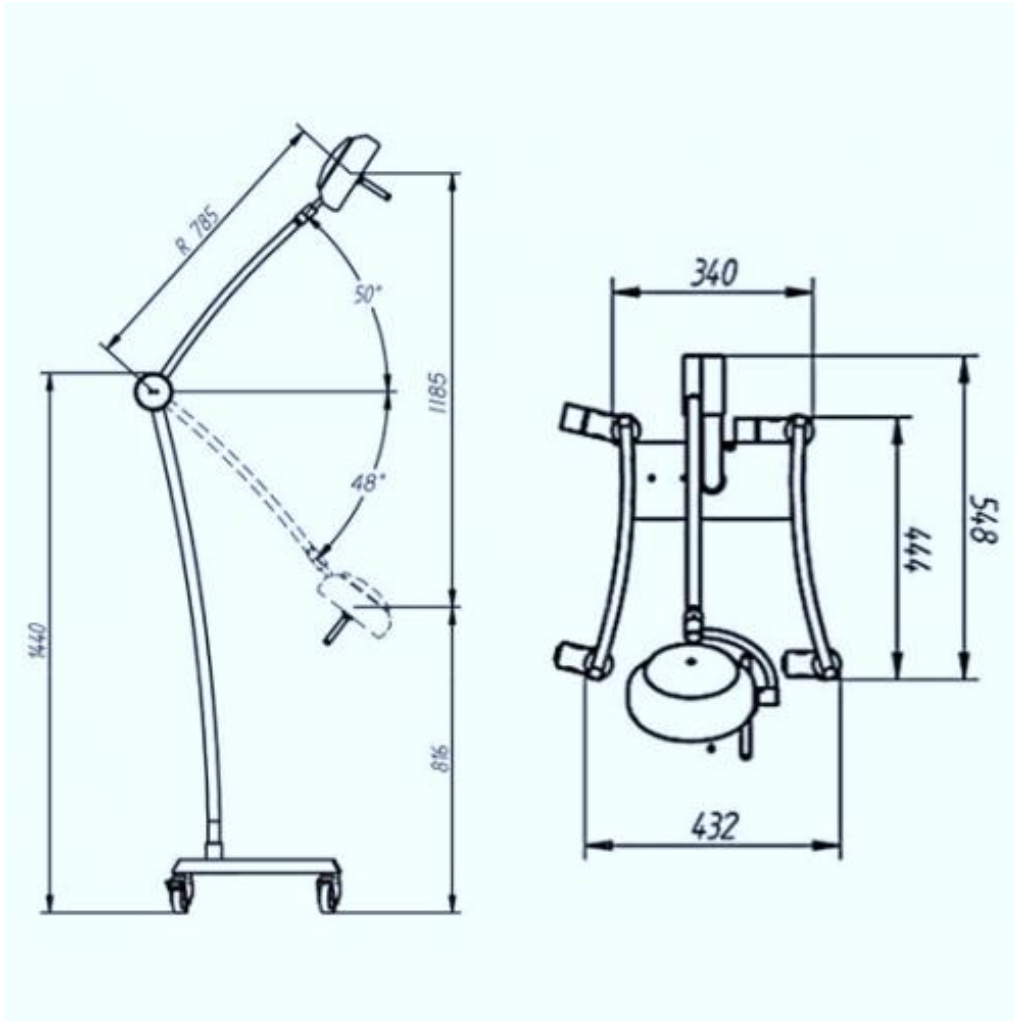
Using long life 50,000 hours LED diode lights they offer you a cold light with excellent quality. The luminance intensity provided by the LED module, gives you 100,000 lux at 50cm, 70,000 lux at 80cm and 50,000 lux at 100cm, with a colour temperature of 4,750 °K.

Specification Sheet

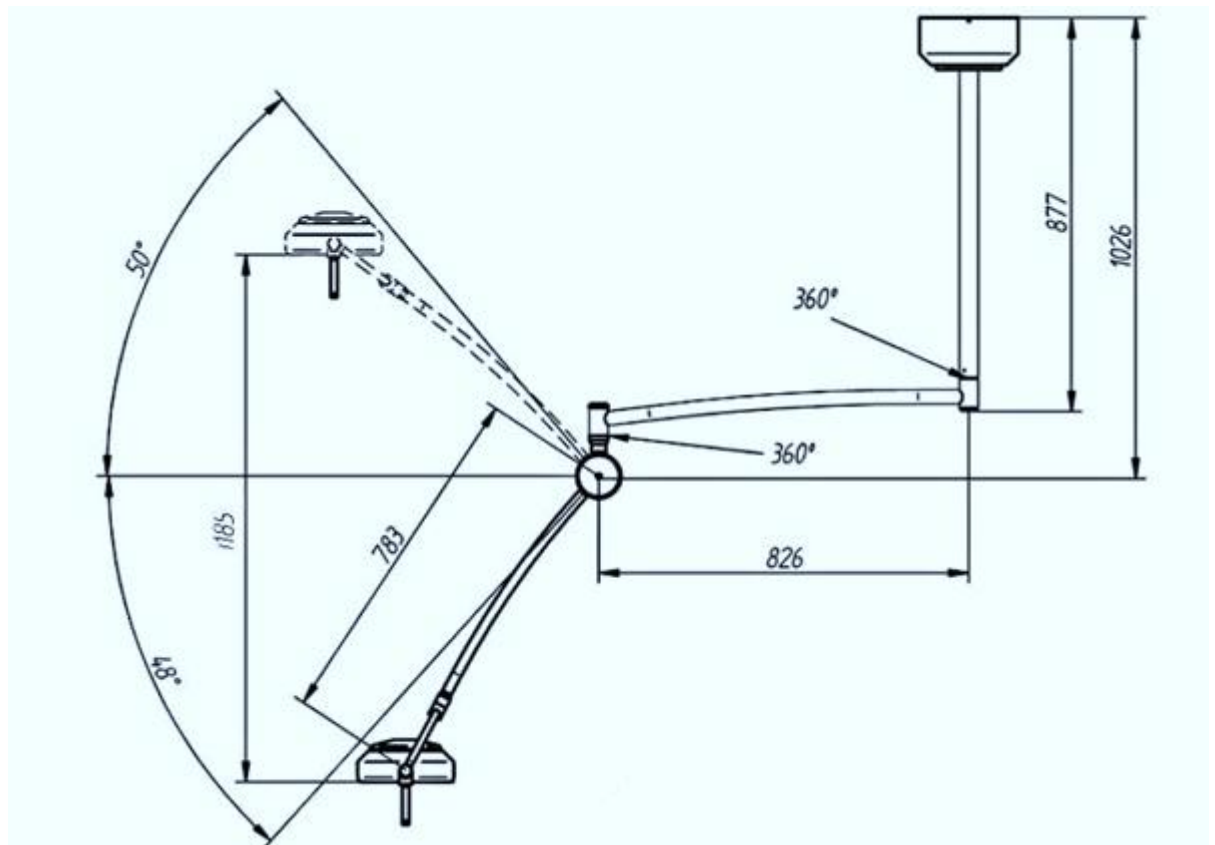
Voltage:	100-240V50/60Hz
Power:	50W
Light Source:	LED
Luminous angle:	10°
Lifetime:	50,000 hours
Luminous intensity at 100 cm:	50,000 lux
Luminous intensity at 80 cm:	70,000 lux
Luminous intensity to 50 cm:	100.000 lux
Colour temperature:	4,750 °K
Autoclavable Handle:	Yes
Light field Ø:	13 cm
Increase temperature in work field:	0° C
Weight: Trolley	12.5Kg
Wall Mount	7.5Kg
Ceiling Mount	10.5Kg
Colour (Mounts):	RAL 9002

Prices correct at time of going to print. Price may change without prior notice. Price excludes VAT. E&OE

NORDIS LED TROLLEY MOUNT DIAGRAM



NORDIS LED CEILING MOUNT DIAGRAM



NORDIS LED WALL MOUNT DIAGRAM

